

Technical data sheet

Product features



Cooking range solid top gas with gas oven

Model	SAP Code	00020537
--------------	-----------------	----------



- Device type: Gas unit
- Power consumption of the zone 1 [kW]: 4
- Power consumption of the zone 2 [kW]: 8,5
- Power consumption of the zone 3 [kW]: 6,6
- Power consumption of the zone 4 [kW]: 8,5
- Power consumption of the zone 5 [kW]: 8,5
- Ignition: Piezo + Eternal Flame
- Type of internal part of the appliance 1 (eg oven): Gas
- Type of internal part of the appliance 2 (eg oven): Static
- Material: AISI 304 top plate and cladding

SAP Code	00020537	Power consumption of the zone 1 [kW]	4
Net Width [mm]	1200	Power consumption of the zone 2 [kW]	8,5
Net Depth [mm]	730	Power consumption of the zone 3 [kW]	6,6
Net Height [mm]	900	Power consumption of the zone 4 [kW]	8,5
Net Weight [kg]	160.00	Power consumption of the zone 5 [kW]	8,5
Power gas [kW]	42.100	Type of internal part of the appliance 1 (eg oven)	Gas
Type of gas	Natural gas, propane butane	Type of internal part of the appliance 2 (eg oven)	Static
Number of zones	5	Solid top dimensions [mm x mm]	370 x 545

Technical data sheet

Technical drawing

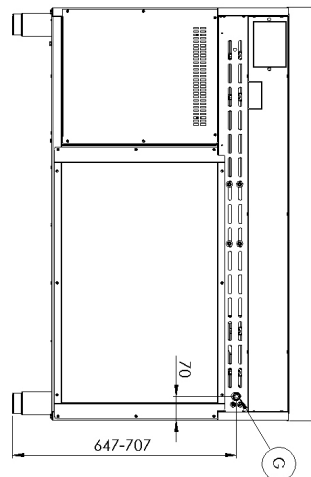
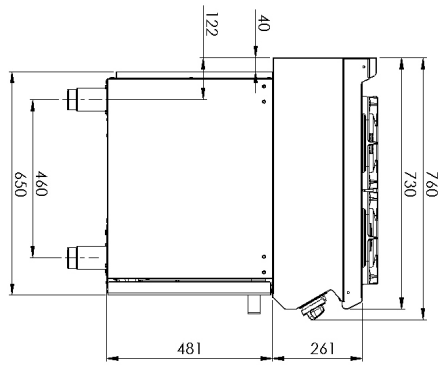
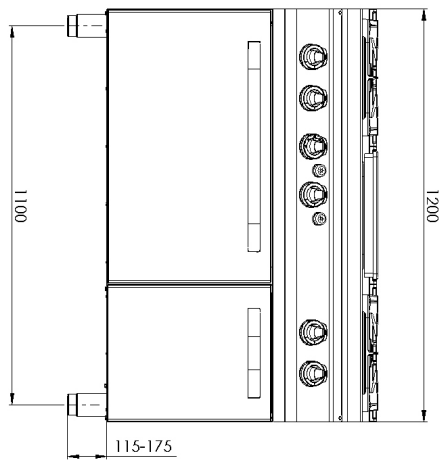


Cooking range solid top gas with gas oven

Model

SAP Code

00020537



Technical data sheet

Technical parameters



Cooking range solid top gas with gas oven

Model

SAP Code

00020537

1. SAP Code:

00020537

2. Net Width [mm]:

1200

3. Net Depth [mm]:

730

4. Net Height [mm]:

900

5. Net Weight [kg]:

160.00

6. Gross Width [mm]:

1240

7. Gross depth [mm]:

800

8. Gross Height [mm]:

1065

9. Gross Weight [kg]:

177.00

10. Device type:

Gas unit

11. Construction type of device:

Stationary

12. Power gas [kW]:

42.100

13. Ignition:

Piezo + Eternal Flame

14. Type of gas:

Natural gas, propane butane

15. Exterior color of the device:

Stainless steel

16. Material:

AISI 304 top plate and cladding

17. Worktop type:

Molded - comfortable cleaning maintenance

18. Worktop material:

AISI 304

19. Worktop Thickness [mm]:

1.50

20. Number of zones:

5

21. Power consumption of the zone 1 [kW]:

4

22. Power consumption of the zone 2 [kW]:

8,5

23. Power consumption of the zone 3 [kW]:

6,6

24. Power consumption of the zone 4 [kW]:

8,5

25. Power consumption of the zone 5 [kW]:

8,5

26. Grid material:

Cast iron

27. Service accessibility:

Trough the frontal panel

28. Safety thermocouple:

Yes

Technical data sheet

Technical parameters



Cooking range solid top gas with gas oven

Model

SAP Code

00020537

29. Adjustable feet:

Yes

30. Number of burners/hot plates:

5

31. Type of gas cooking zones:

Fire protection to install + Classic burners

32. Burner type:

Brass, detachable

33. Oven Type:

gas static

34. Oven power gas [kW]:

6.00

35. Oven size:

GN 2/1

36. Type of internal part of the appliance 1 (eg oven):

Gas

37. Type of internal part of the appliance 2 (eg oven):

Static

38. Gasket:

Yes

39. Solid top thickness [mm]:

30

40. Solid top dimensions [mm x mm]:

370 x 545

41. Solid top ignition:

Piezo + Eternal Flame